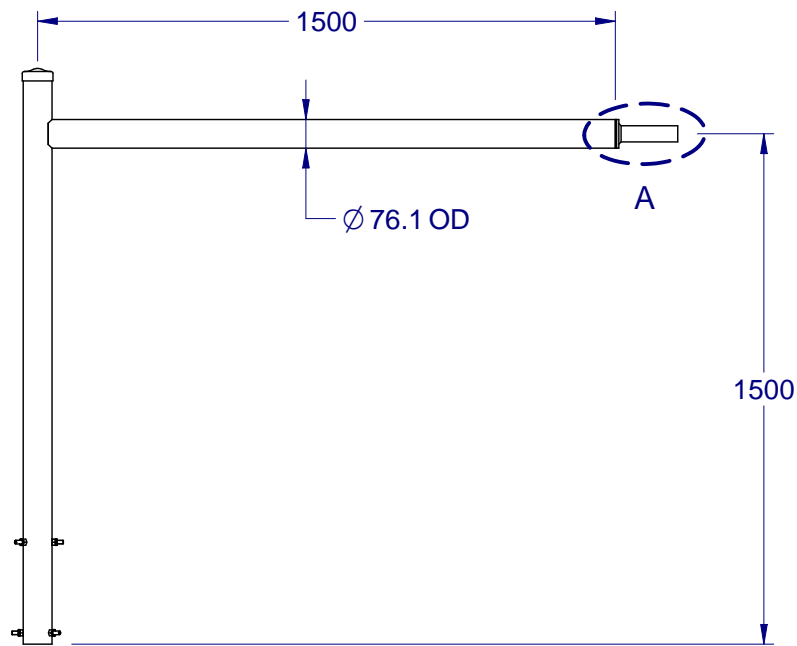
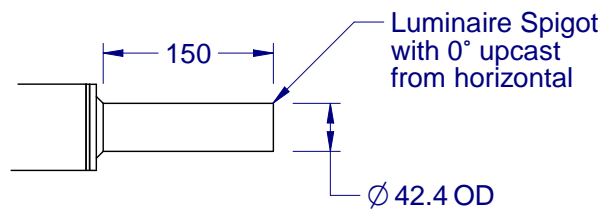


Advanced Lighting Technologies

1.5m Sgl Madison Outreach



SIDE VIEW



DETAIL A

Manufactured by:

VICPOLE
STREETSCAPE SOLUTIONS

62 Jersey Road
Bayswater 3153
Australia
Tel: + 61 03 9738 0808
Web: www.vicpole.com.au
Email: sales@vicpole.com.au

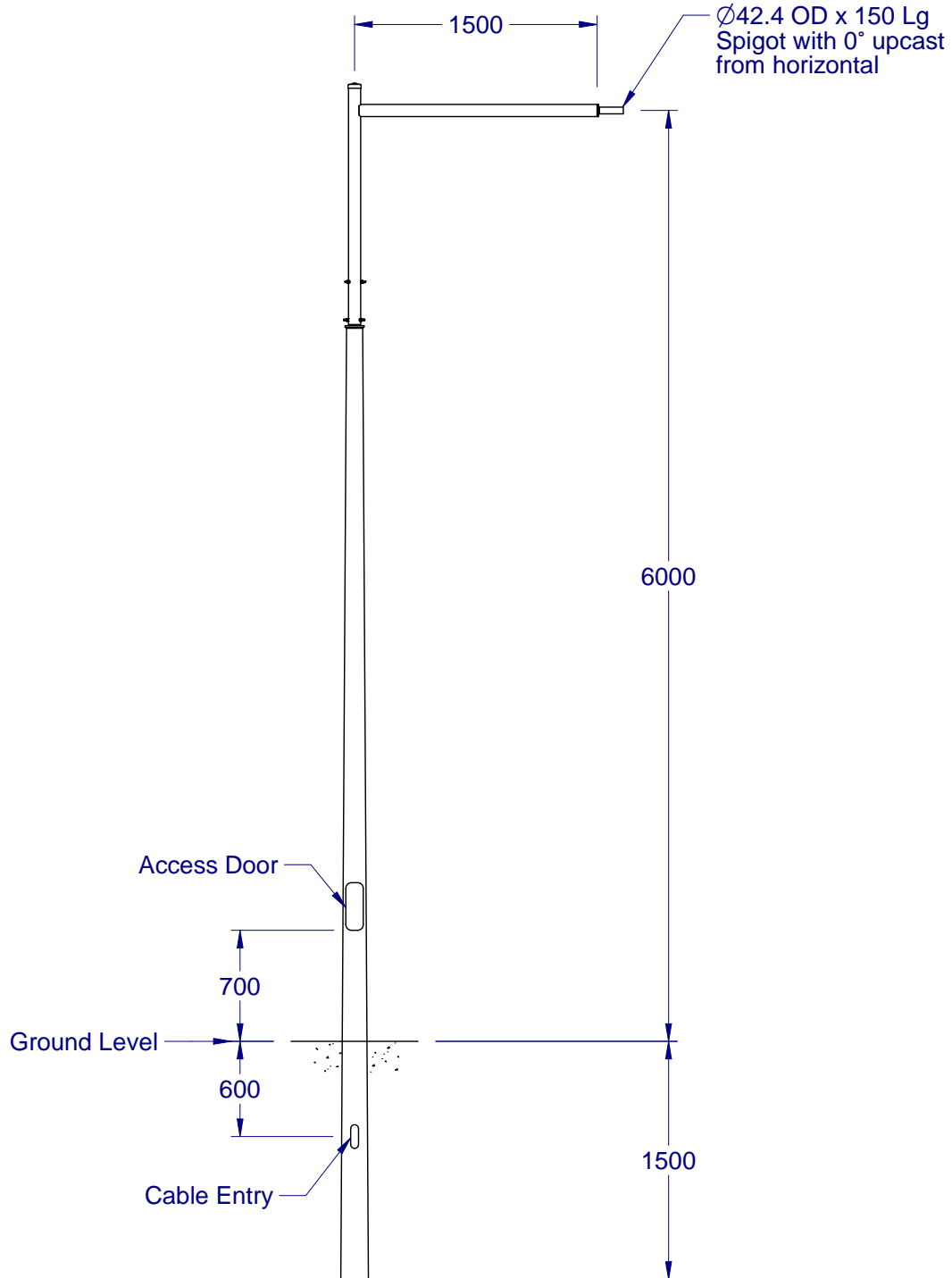
For further information:



8 Boeing Place
Mount Maunganui
New Zealand
Tel: + 64 07 579 0163
Web: www.adlt.co.nz
Email: light@adlt.co.nz

Advanced Lighting Technologies

1.5m Sgl Madison Outreach (6.0m Mounting Height)



SIDE VIEW

Manufactured by:

VICPOLE
STREETSCAPE SOLUTIONS

62 Jersey Road
Bayswater 3153
Australia
Tel: + 61 03 9738 0808
Web: www.vicpole.com.au
Email: sales@vicpole.com.au

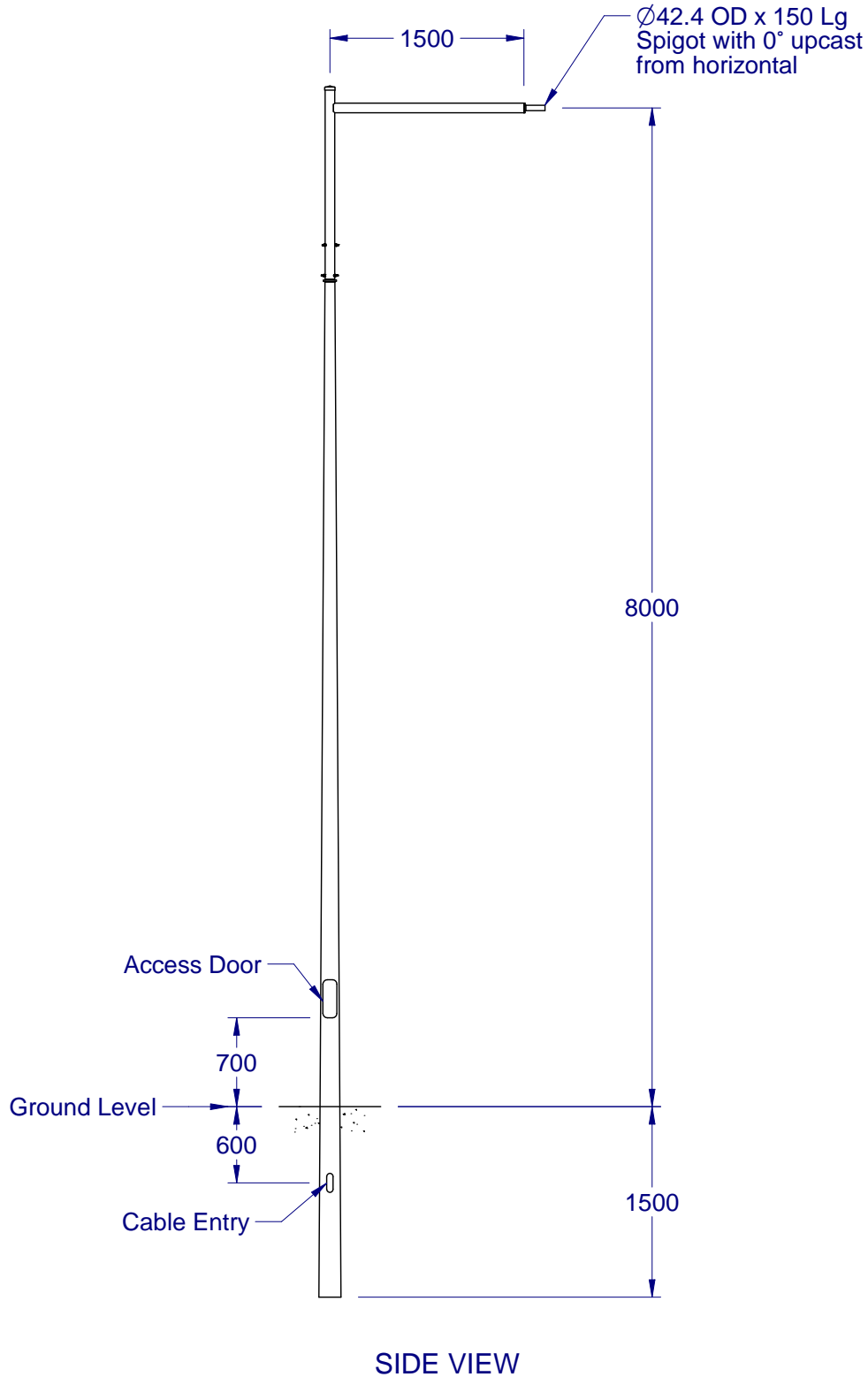
For further information:

 **Advanced**
LIGHTING TECHNOLOGIES

8 Boeing Place
Mount Maunganui
New Zealand
Tel: + 64 07 579 0163
Web: www.adlt.co.nz
Email: light@adlt.co.nz

Advanced Lighting Technologies

1.5m Sgl Madison Outreach (8.0m Mounting Height)



Manufactured by:

VICPOLE
STREETSCAPE SOLUTIONS

62 Jersey Road
Bayswater 3153
Australia
Tel: + 61 03 9738 0808
Web: www.vicpole.com.au
Email: sales@vicpole.com.au

For further information:

 **Advanced**
LIGHTING TECHNOLOGIES

8 Boeing Place
Mount Maunganui
New Zealand
Tel: + 64 07 579 0163
Web: www.adlt.co.nz
Email: light@adlt.co.nz