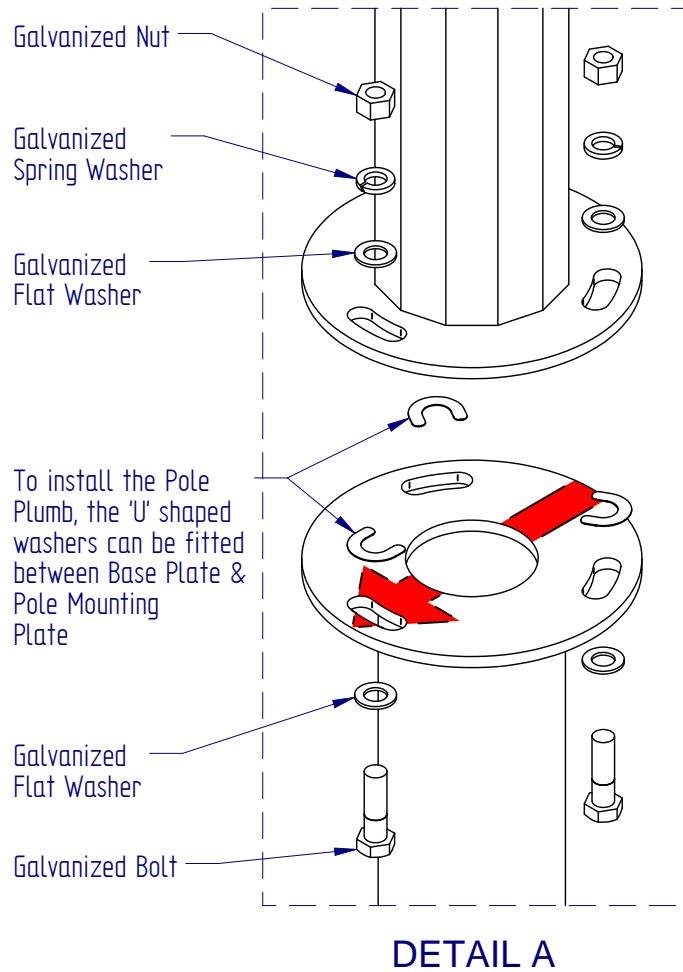
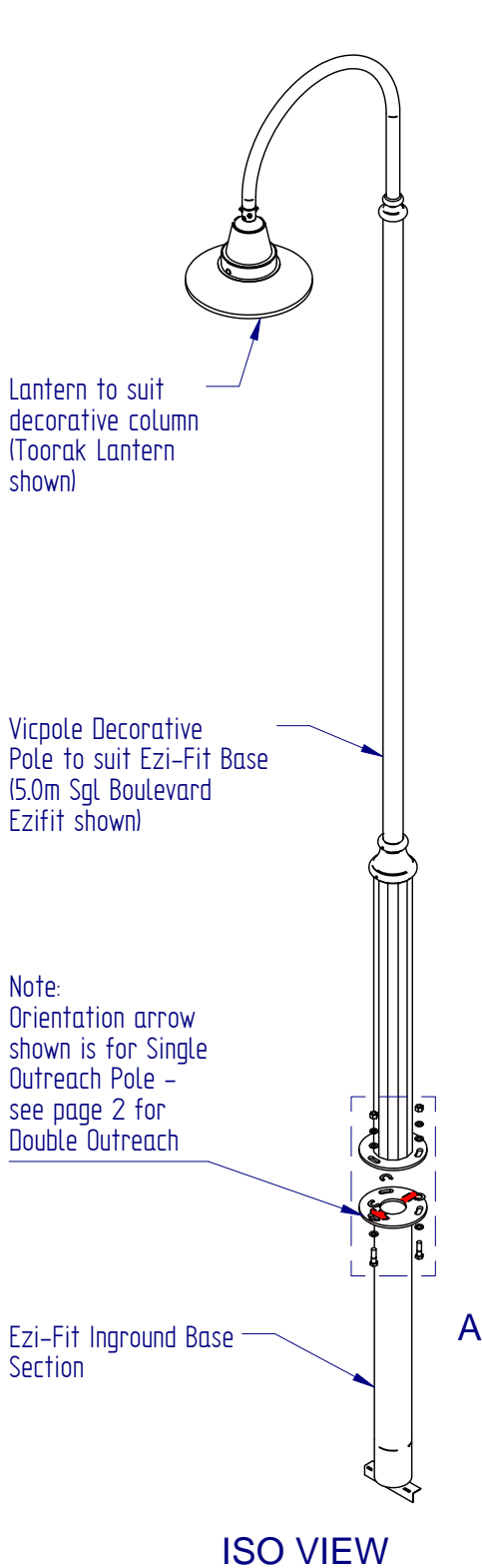


# Assembly Guidelines for the 'Ezi-Fit' Inground Base Section & Pole

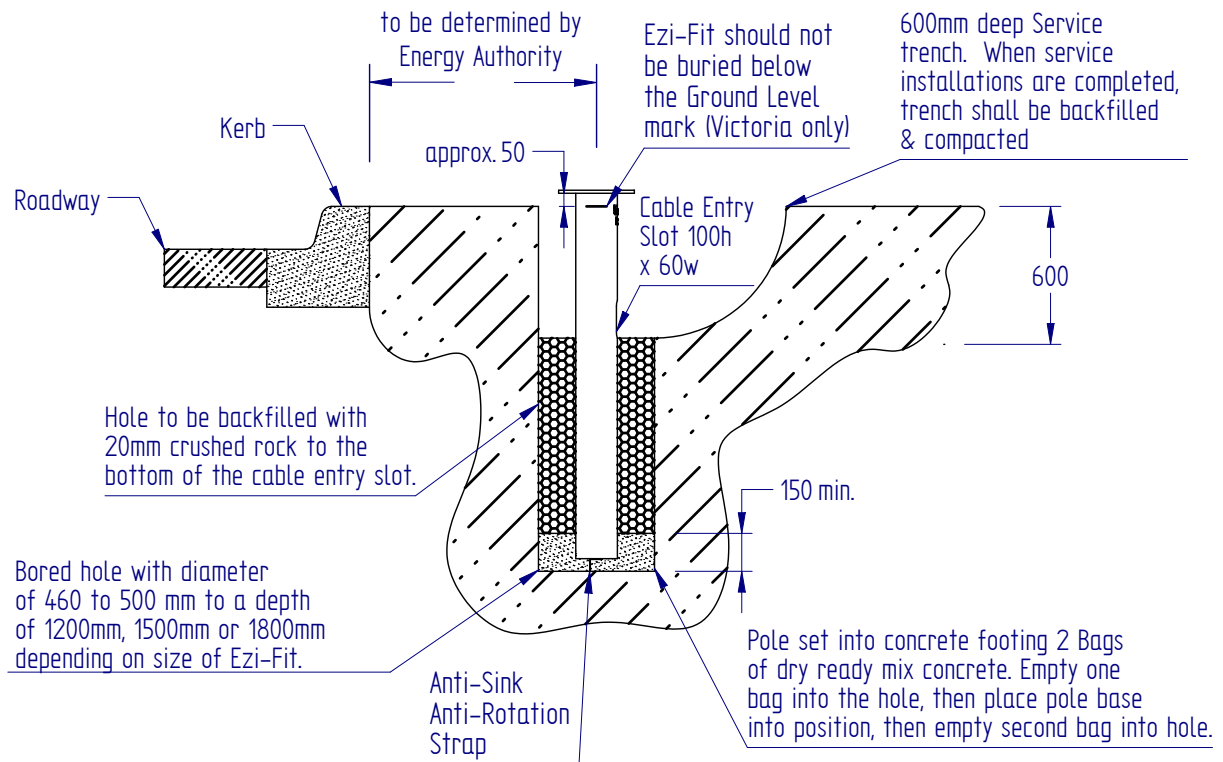


- Pole is supplied with the following
- (3) Galvanized Bolts & Nuts
  - (6) Galvanized Flat Washers
  - (3) Galvanized Spring Washers
  - (3) Galvanized 'U' shape Packing Washers

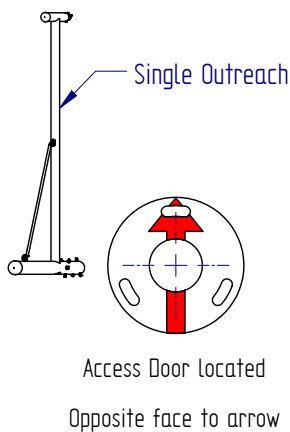
EZI-FIT INGROUND BASE PRODUCT RANGE		
PART CODE	EST. WEIGHT	TO SUIT COLUMN
VPEZI-1.2	28 Kgs	up to 5 metres
VPEZI-1.5	30 Kgs	5.1 metres to 8 metres
VPEZI-1.8	70 Kgs	8.1 metres to 10 metres

# Installation Guidelines for the 'Ezi-Fit' Inground Base Section & Pole

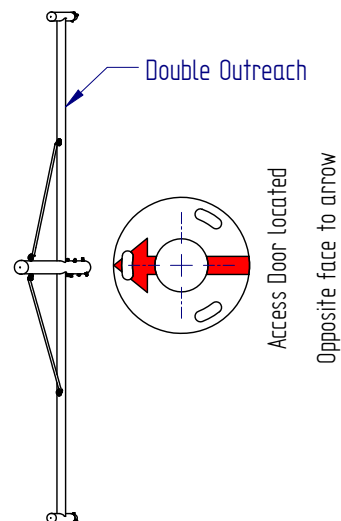
## Typical Cross-Sectional View



## Important: Baseplate Orientation for 'Ezi-Fit' Inground Base Section



Single Outreach Ezifit Column



Double Outreach Ezifit Column

- Notes:
- In a typical arrangement for a single outreach, the arrow & the outreach will be oriented across the roadway
  - In a typical arrangement for a double outreach, the arrow will be parallel to the roadway; the outreaches will be oriented across the roadway
  - The slotted holes in both the Base & Pole Plates will allow approx. 20 deg. of pole rotation
  - If in doubt, prior to installation, contact your Vicpole representative